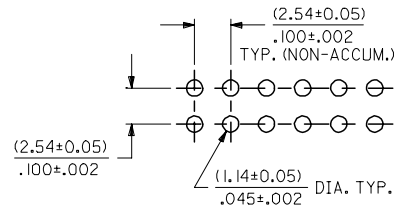
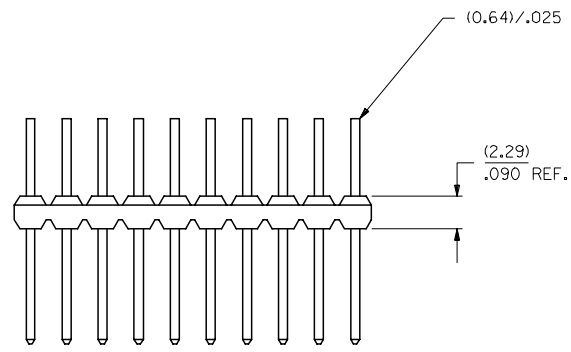


13 12 11 10 9 8 7 6 5 4 3 2 1

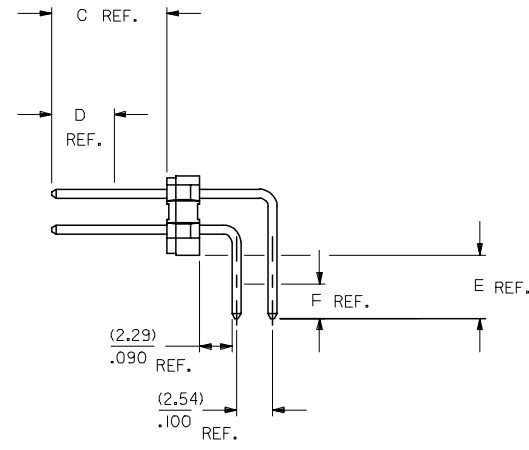
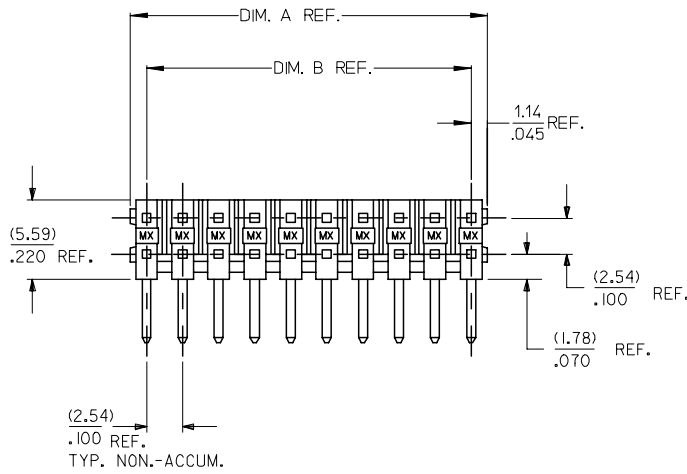
J  
I  
H  
G  
F  
E  
D  
C  
B  
A

J  
I  
H  
G  
F  
E  
D  
C  
B  
A



**RECOMMENDED P.C. BOARD HOLE LAYOUT**

| CKT. SIZE | DIM. A |       | DIM. B |       |
|-----------|--------|-------|--------|-------|
|           | MM     | INCH  | MM     | INCH  |
| 04        | 4.83   | .190  | 2.54   | .100  |
| 06        | 7.37   | .290  | 5.08   | .200  |
| 08        | 9.91   | .390  | 7.62   | .300  |
| 10        | 12.45  | .490  | 10.16  | .400  |
| 12        | 14.99  | .590  | 12.70  | .500  |
| 14        | 17.53  | .690  | 15.24  | .600  |
| 16        | 20.07  | .790  | 17.78  | .700  |
| 18        | 22.61  | .890  | 20.32  | .800  |
| 20        | 25.15  | .990  | 22.86  | .900  |
| 22        | 27.69  | 1.090 | 25.40  | 1.000 |
| 24        | 30.23  | 1.190 | 27.94  | 1.100 |
| 26        | 32.77  | 1.290 | 30.48  | 1.200 |
| 28        | 35.31  | 1.390 | 33.02  | 1.300 |
| 30        | 37.85  | 1.490 | 35.56  | 1.400 |



- NOTES:
- MATERIAL: WAFER - GLASS FILLED, POLYESTER, 94V-0, COLOR: BLACK, PINS - PHOS. BRONZE.
  - FINISH:
    - TIN - 0.00381/0.000150 MINIMUM TIN OVER 0.00127/0.000050 MINIMUM NICKEL OVERALL.
    - 15 GOLD - 0.00038/0.000015 MINIMUM GOLD PLATE IN SELECTED AREA AND 0.00191/0.000075 MINIMUM TIN IN SELECTED AREA OVER 0.00127/0.000050 MINIMUM NICKEL OVERALL.
    - 30 GOLD - 0.00076/0.000030 MINIMUM GOLD PLATE IN SELECTE AREA AND 0.00191/0.000075 MINIMUM TIN IN SELECTED AREA OVER 0.00121/0.000050 MINIMUM NICKEL OVERALL.
  - PRODUCT SPECIFICATION: PS-70216.
  - PACKAGING SPECIFICATION: FOR 4 THROUGH 8 CIRCUIT PARTS US PK-70873-0353, FOR 10 CIRCUITS AND OVER USE PK-70873-0075.
  - PIN PUSHOUT FORCE: 4 LBS. MINIMUM.
  - FOR ILLUSTRATION PURPOSES, 20 (DUAL 10) CIRCUIT SIZE WAFER IS SHOWN.
  - PINS MUST MEET SOLDERABILITY SPEC. NO. 152.
  - WAFER TO BE FLAT WITHIN (0.03 MM/CM) OR .003 IN./IN.
  - FOR ASSEMBLIES WITH VOIDED PINS, CONTACT MOLEX SALES REPRESENTATIVE.
  - THIS PART CONFORMS TO CLASS B REQUIREMENTS OF COSMETIC SPECIFICATION PS-45499-002.

|           |    |
|-----------|----|
| 2--       | A1 |
| 1         | A1 |
| SHT. REV. |    |

|  |                               |                                       |         |                          |                    |   |                      |                        |  |  |  |
|--|-------------------------------|---------------------------------------|---------|--------------------------|--------------------|---|----------------------|------------------------|--|--|--|
| ADD NOTE 10<br>EC NO: UCP2007-1509<br>DRAWN/PRD: DER 2006/12/19<br>CHKD: ADERR 2006/12/19<br>APPR: FSM TH 2006/12/20<br>A1 | QUALITY SYMBOLS<br>▽=0<br>▽=0 | GENERAL TOLERANCES (UNLESS SPECIFIED) |         | DIMENSION STYLE<br>MM/IN |                    | SCALE<br>4:1  | DESIGN UNITS<br>INCH | THIRD ANGLE PROJECTION |  |  |  |
|  |                               | 4 PLACES ±--- ±---                    | mm INCH | DRAWN BY<br>RCB          | DATE<br>1994/05/18 | TITLE<br>RT. ANG. WAFER ASS'Y<br>2.54/.100 GRID, DUAL ROW<br>BREAKAWAY 0.64/.025 PINS   |                      |                        |  |  |  |
|  |                               | 3 PLACES ±--- ±.005                   |         | CHECKED BY<br>DATE       |                    | MATERIAL NO.<br>SEE CHART   |                      |                        |  |  |  |
|  |                               | 2 PLACES ±0.13 ±.01                   |         | APPROVED BY<br>DATE      |                    | DOCUMENT NO.<br>SD-70216-001  |                      |                        |  |  |  |
| 1 PLACE ±0.25 ±---   |                               | ANGULAR ±1/2°                         |         | SHEET NO.<br>1 OF *      |                    | THIS DRAWING CONTAINS INFORMATION THAT IS PROPRIETARY TO MOLEX INCORPORATED AND SHOULD NOT BE USED WITHOUT WRITTEN PERMISSION |                      |                        |  |  |  |

12 11 10 9 8 7 6 5 4 3 2 1

| ENG. NO: A-70216-0079/0092 |            |                      | ENG. NO: A-70216-0118/0131 |            |                      | ENG. NO: A-70216-0235/0248 |            |                      |
|----------------------------|------------|----------------------|----------------------------|------------|----------------------|----------------------------|------------|----------------------|
| DIM. C                     |            | (6.10)/.240          | DIM. C                     |            | (8.13)/.320          | DIM. C                     |            | (6.10)/.240          |
| DIM. E (REF.)              |            | (2.79)/.110          | DIM. E (REF.)              |            | (2.79)/.110          | DIM. E (REF.)              |            | (2.79)/.110          |
| FINISH                     |            | TIN                  | FINISH                     |            | TIN                  | FINISH                     |            | 15 GOLD              |
| CONNECTOR END PLATING      |            | TIN                  | CONNECTOR END PLATING      |            | TIN                  | CONNECTOR END PLATING      |            | GOLD                 |
| DIM. D (MEASURE PT.)       |            | (2.54)/.100          | DIM. D (MEASURE PT.)       |            | (4.57)/.180          | DIM. D (MEASURE PT.)       |            | (2.54)/.100          |
| P.C. BOARD END PLATING     |            | TIN                  | P.C. BOARD END PLATING     |            | TIN                  | P.C. BOARD END PLATING     |            | TIN                  |
| DIM. F (MEASURE PT.)       |            | (1.27)/.050          | DIM. F (MEASURE PT.)       |            | (1.27)/.050          | DIM. F (MEASURE PT.)       |            | (1.27)/.050          |
| PACKAGING                  |            | SEE NOTE 4 ON SHT. 1 | PACKAGING                  |            | SEE NOTE 4 ON SHT. 1 | PACKAGING                  |            | SEE NOTE 4 ON SHT. 1 |
| CKTS                       | EDP NUMBER | ENG. NUMBER          | CKTS                       | EDP NUMBER | ENG. NUMBER          | CKTS                       | EDP NUMBER | ENG. NUMBER          |
| 04                         | 10-88-3041 | A-70216-0079         | 04                         | 10-88-3042 | A-70216-0118         | 04                         | 10-89-4042 | A-70216-0235         |
| 06                         | 10-88-3061 | A-70216-0080         | 06                         | 10-88-3062 | A-70216-0119         | 06                         | 10-89-4062 | A-70216-0236         |
| 08                         | 10-88-3081 | A-70216-0081         | 08                         | 10-88-3082 | A-70216-0120         | 08                         | 10-89-4082 | A-70216-0237         |
| 10                         | 10-88-3101 | A-70216-0082         | 10                         | 10-88-3102 | A-70216-0121         | 10                         | 10-89-4102 | A-70216-0238         |
| 12                         | 10-88-3121 | A-70216-0083         | 12                         | 10-88-3122 | A-70216-0122         | 12                         | 10-89-4122 | A-70216-0239         |
| 14                         | 10-88-3141 | A-70216-0084         | 14                         | 10-88-3142 | A-70216-0123         | 14                         | 10-89-4142 | A-70216-0240         |
| 16                         | 10-88-3161 | A-70216-0085         | 16                         | 10-88-3162 | A-70216-0124         | 16                         | 10-89-4162 | A-70216-0241         |
| 18                         | 10-88-3181 | A-70216-0086         | 18                         | 10-88-3182 | A-70216-0125         | 18                         | 10-89-4182 | A-70216-0242         |
| 20                         | 10-88-3201 | A-70216-0087         | 20                         | 10-88-3202 | A-70216-0126         | 20                         | 10-89-4202 | A-70216-0243         |
| 22                         | 10-88-3221 | A-70216-0088         | 22                         | 10-88-3222 | A-70216-0127         | 22                         | 10-89-4222 | A-70216-0244         |
| 24                         | 10-88-3241 | A-70216-0089         | 24                         | 10-88-3242 | A-70216-0128         | 24                         | 10-89-4242 | A-70216-0245         |
| 26                         | 10-88-3261 | A-70216-0090         | 26                         | 10-88-3262 | A-70216-0129         | 26                         | 10-89-4262 | A-70216-0246         |
| 28                         | 10-88-3281 | A-70216-0091         | 28                         | 10-88-3282 | A-70216-0130         | 28                         | 10-89-4282 | A-70216-0247         |
| 30                         | 10-88-3301 | A-70216-0092         | 30                         | 10-88-3302 | A-70216-0131         | 30                         | 10-89-4302 | A-70216-0248         |

|  |  |   |                                      |
|--|--|---|--------------------------------------|
| <b>A1</b>                                      | REV: <u>ECR/ECN INFORMATION</u>                | <b>TITLE:</b><br>RT. ANG. WAFER ASS'Y<br>2.54/.100 GRID, DUAL ROW<br>BREAKAWAY 0.64/.025 PINS | <b>SHEET No.</b><br><br><b>- 2 -</b> |
|  | EC No: <b>UCP2007-1509</b>                     |   |                                      |
|  | DATE: <b>2006-12-18</b>                        |   |                                      |
| <b>DOCUMENT NUMBER:</b><br><b>SD-70216-001</b> | <b>CREATED / REVISED BY:</b><br><b>PRIDDER</b> | <b>CHECKED BY:</b><br><b>ADERR</b>  | <b>APPROVED BY:</b><br><b>FSMITH</b> |

| ENG. NO: A-70216-0274/0287 |            |                      | ENG. NO: A-70216-0391/0404 |            |                      | ENG. NO: A-70216-0430/0443 |            |                      |
|----------------------------|------------|----------------------|----------------------------|------------|----------------------|----------------------------|------------|----------------------|
| DIM. C                     |            | (8.13)/.320          | DIM. C                     |            | (6.10)/.240          | DIM. C                     |            | (8.13)/.320          |
| DIM. E (REF.)              |            | (2.79)/.110          | DIM. E (REF.)              |            | (2.79)/.110          | DIM. E (REF.)              |            | (2.79)/.110          |
| FINISH                     |            | 15 GOLD              | FINISH                     |            | 30 GOLD              | FINISH                     |            | 30 GOLD              |
| CONNECTOR END PLATING      |            | GOLD                 | CONNECTOR END PLATING      |            | GOLD                 | CONNECTOR END PLATING      |            | GOLD                 |
| DIM. D (MEASURE PT.)       |            | (4.57)/.180          | DIM. D (MEASURE PT.)       |            | (2.54)/.100          | DIM. D (MEASURE PT.)       |            | (4.57)/.180          |
| P.C. BOARD END PLATING     |            | TIN                  | P.C. BOARD END PLATING     |            | TIN                  | P.C. BOARD END PLATING     |            | TIN                  |
| DIM. F (MEASURE PT.)       |            | (1.27)/.050          | DIM. F (MEASURE PT.)       |            | (1.27)/.050          | DIM. F (MEASURE PT.)       |            | (1.27)/.050          |
| PACKAGING                  |            | SEE NOTE 4 ON SHT. 1 | PACKAGING                  |            | SEE NOTE 4 ON SHT. 1 | PACKAGING                  |            | SEE NOTE 4 ON SHT. 1 |
| CKTS                       | EDP NUMBER | ENG. NUMBER          | CKTS                       | EDP NUMBER | ENG. NUMBER          | CKTS                       | EDP NUMBER | ENG. NUMBER          |
| 04                         | 10-89-4043 | A-70216-0274         | 04                         | 10-89-4046 | A-70216-0391         | 04                         | 10-89-4047 | A-70216-0430         |
| 06                         | 10-89-4063 | A-70216-0275         | 06                         | 10-89-4066 | A-70216-0392         | 06                         | 10-89-4067 | A-70216-0431         |
| 08                         | 10-89-4083 | A-70216-0276         | 08                         | 10-89-4086 | A-70216-0393         | 08                         | 10-89-4087 | A-70216-0432         |
| 10                         | 10-89-4103 | A-70216-0277         | 10                         | 10-89-4106 | A-70216-0394         | 10                         | 10-89-4107 | A-70216-0433         |
| 12                         | 10-89-4123 | A-70216-0278         | 12                         | 10-89-4126 | A-70216-0395         | 12                         | 10-89-4127 | A-70216-0434         |
| 14                         | 10-89-4143 | A-70216-0279         | 14                         | 10-89-4146 | A-70216-0396         | 14                         | 10-89-4147 | A-70216-0435         |
| 16                         | 10-89-4163 | A-70216-0280         | 16                         | 10-89-4166 | A-70216-0397         | 16                         | 10-89-4167 | A-70216-0436         |
| 18                         | 10-89-4183 | A-70216-0281         | 18                         | 10-89-4186 | A-70216-0398         | 18                         | 10-89-4187 | A-70216-0437         |
| 20                         | 10-89-4203 | A-70216-0282         | 20                         | 10-89-4206 | A-70216-0399         | 20                         | 10-89-4207 | A-70216-0438         |
| 22                         | 10-89-4223 | A-70216-0283         | 22                         | 10-89-4226 | A-70216-0400         | 22                         | 10-89-4227 | A-70216-0439         |
| 24                         | 10-89-4243 | A-70216-0284         | 24                         | 10-89-4246 | A-70216-0401         | 24                         | 10-89-4247 | A-70216-0440         |
| 26                         | 10-89-4263 | A-70216-0285         | 26                         | 10-89-4266 | A-70216-0402         | 26                         | 10-89-4267 | A-70216-0441         |
| 28                         | 10-89-4283 | A-70216-0286         | 28                         | 10-89-4286 | A-70216-0403         | 28                         | 10-89-4287 | A-70216-0442         |
| 30                         | 10-89-4303 | A-70216-0287         | 30                         | 10-89-4306 | A-70216-0404         | 30                         | 10-89-4307 | A-70216-0443         |

|   |   |  |                               |
|---|---|--|-------------------------------|
| REV: <b>A1</b>                          | ECR/ECN INFORMATION                     | TITLE: <b>RT. ANG. WAFER ASS'Y<br/>2.54/.100 GRID, DUAL ROW<br/>BREAKAWAY 0.64/.025 PINS</b> | SHEET No.<br><b>- 3 -</b>     |
|   | EC No: <b>UCP2007-1509</b>              |  |                               |
|   | DATE: <b>2006-12-18</b>                 |  |                               |
| DOCUMENT NUMBER:<br><b>SD-70216-001</b> | CREATED / REVISED BY:<br><b>PRIDDER</b> | CHECKED BY:<br><b>ADERR</b>  | APPROVED BY:<br><b>FSMITH</b> |

